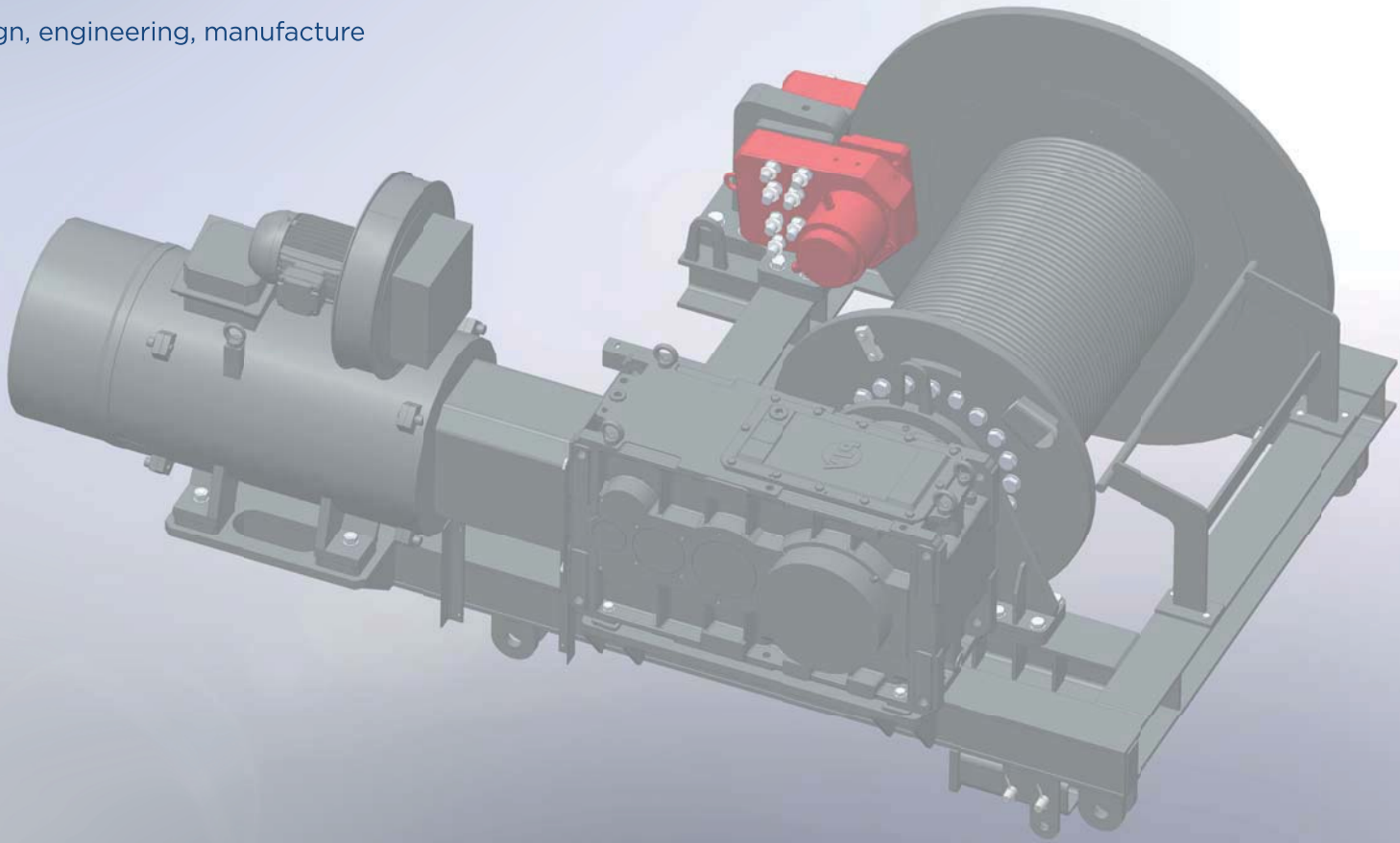


ENG

CRANES

Design, engineering, manufacture



TOWER CRANES AND BEYOND

ENG's range of winches 2018

www.engcranes.com

ENG

CRANES

Design, engineering, manufacture

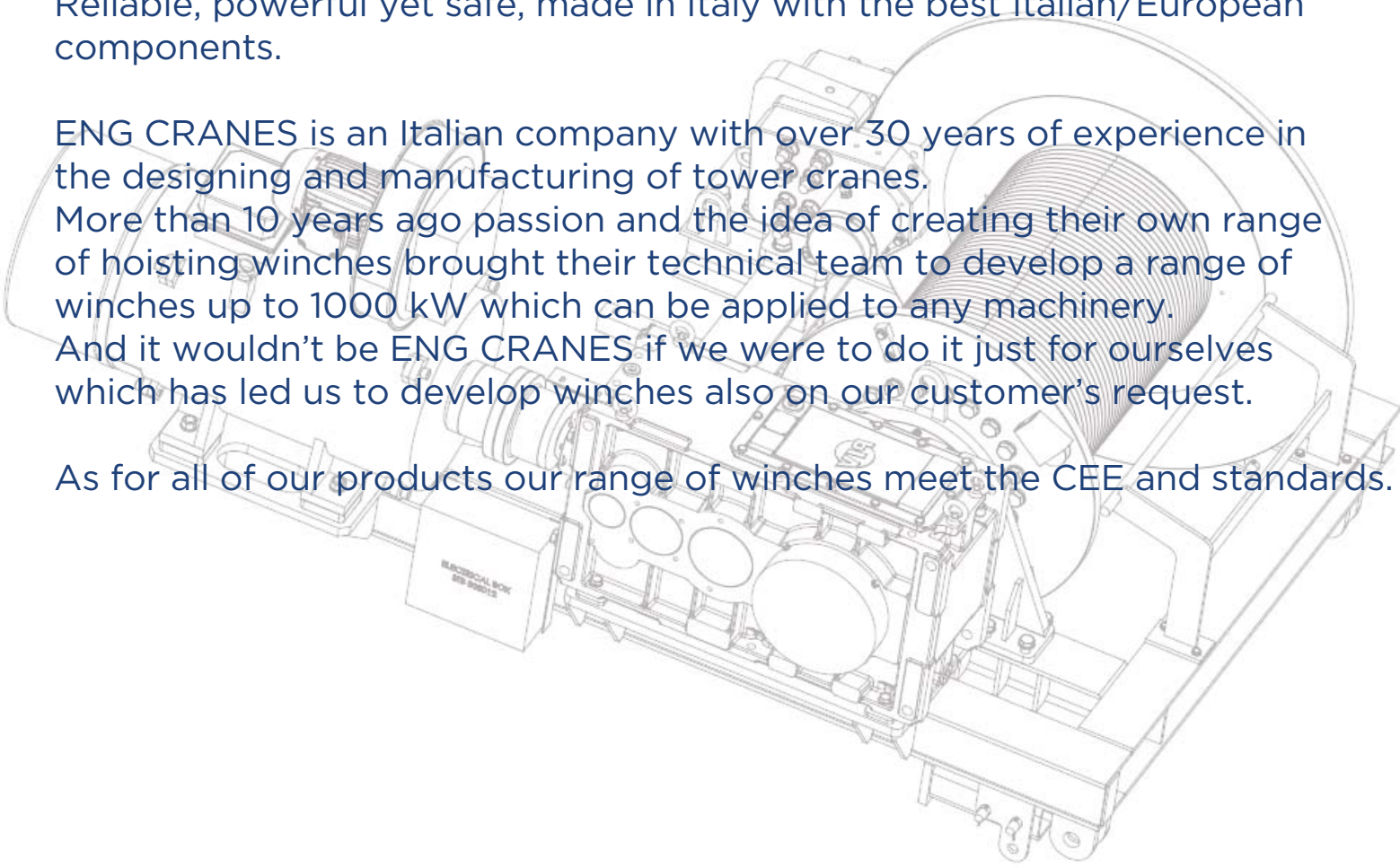
Reliable, powerful yet safe, made in Italy with the best Italian/European components.

ENG CRANES is an Italian company with over 30 years of experience in the designing and manufacturing of tower cranes.

More than 10 years ago passion and the idea of creating their own range of hoisting winches brought their technical team to develop a range of winches up to 1000 kW which can be applied to any machinery.

And it wouldn't be ENG CRANES if we were to do it just for ourselves which has led us to develop winches also on our customer's request.

As for all of our products our range of winches meet the CEE and standards.



ENG

CRANES

Design, engineering, manufacture

Our Tech Dept is at your complete disposal to develop completely customized solution, suitable for every sector:

Mobile Cranes
Pipeline
Harbour Cranes
Tower Cranes
Off Shore
Recovery
Drilling

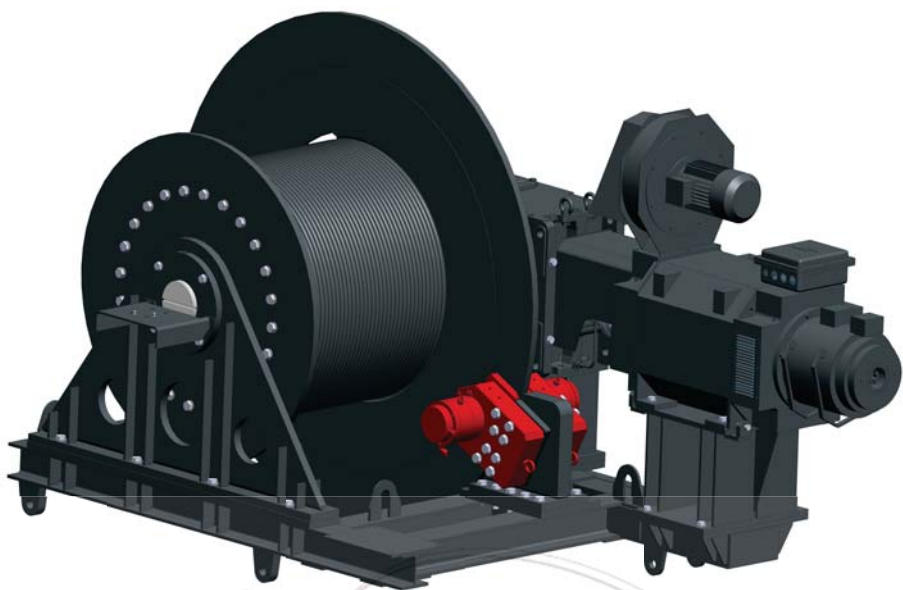
All our winches can be customized in order to satisfy your need:

Smooth or Grooved drum
Different drum length
Motorized drum w/o structure
Hydraulic motor with hydraulic negative brake



RANGE 2018

HOISTING WINCH 110 kW FEM M5-L2-T5

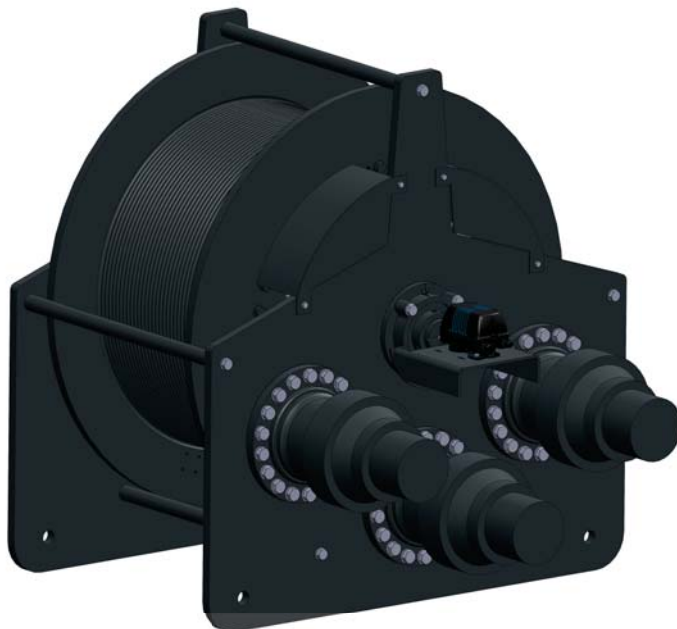


HOISTING WINCH MODEL HW20110BR-75025BE								
POWER	MOTOR 110 kW							
ROPE SIZE	∅	18	mm					
ROPE LAYER	n	1	2	3	4	5	6	7
LINE PULL ON THE ROPE	kN	87,9	83,6	79,9	76,3	73,1	70,1	67,4
ROPE SPEED	m/min	73,5	77,3	81	84,7	88,4	92,2	95,9
ROPE CAPACITY	m	99,3	203,7	313	427,5	546,9	671,4	800,9

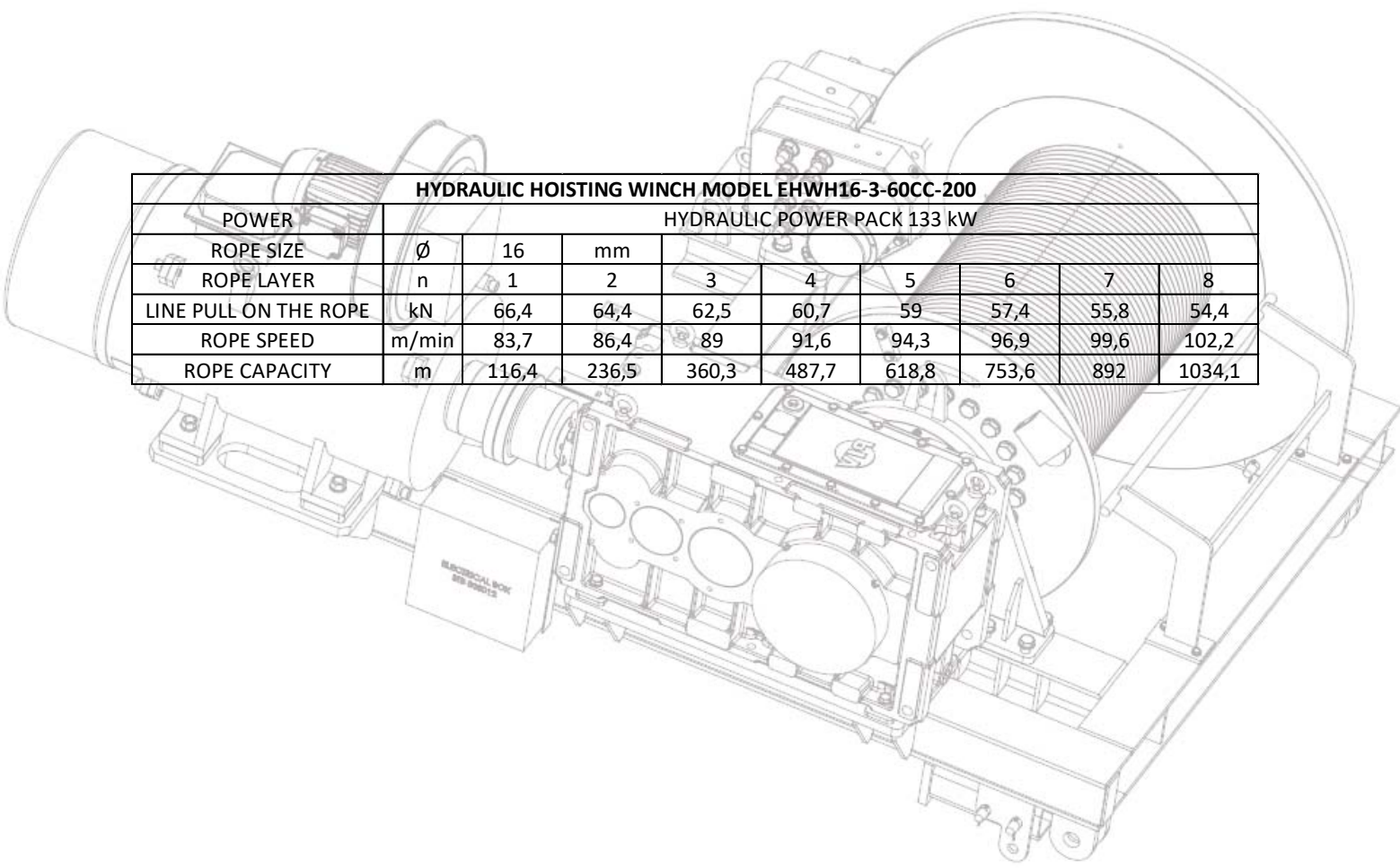
HOISTING WINCH MODEL HW25110BR-75025BE							
POWER	MOTOR 110 kW						
ROPE SIZE	∅	20	mm				
ROPE LAYER	n	1	2	3	4	5	6
LINE PULL ON THE ROPE	kN	94,4	90,8	87,5	84,4	81,6	78,9
ROPE SPEED	m/min	63,2	65,7	68,2	70,6	73,1	75,6
ROPE CAPACITY	m	122,8	250,4	382,9	520,2	662,3	809,3

HOISTING WINCH MODEL HW40110BR-75025BE								
POWER	MOTOR 110 kW							
ROPE SIZE	∅	26	mm					
ROPE LAYER	n	1	2	3	4	5	6	7
LINE PULL ON THE ROPE	kN	168,7	160,5	153,1	146,3	140	134,3	129,1
ROPE SPEED	m/min	36,8	38,7	40,6	42,5	44,4	46,3	48,1
ROPE CAPACITY	m	84,5	173,3	266,5	363,9	465,8	571,9	682,4

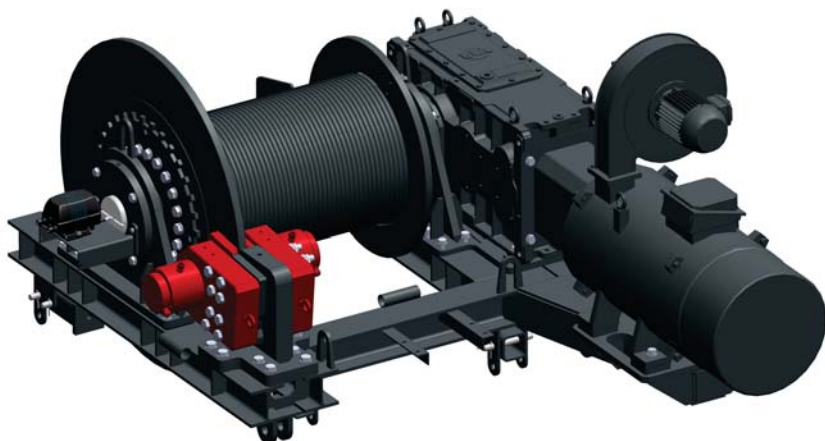
HYDRAULIC WINCH 133 kW FEM M5-L2-T5



HYDRAULIC HOISTING WINCH MODEL EHH16-3-60CC-200										
POWER	HYDRAULIC POWER PACK 133 kW									
ROPE SIZE	∅	16	mm							
ROPE LAYER	n	1	2	3	4	5	6	7	8	
LINE PULL ON THE ROPE	kN	66,4	64,4	62,5	60,7	59	57,4	55,8	54,4	
ROPE SPEED	m/min	83,7	86,4	89	91,6	94,3	96,9	99,6	102,2	
ROPE CAPACITY	m	116,4	236,5	360,3	487,7	618,8	753,6	892	1034,1	

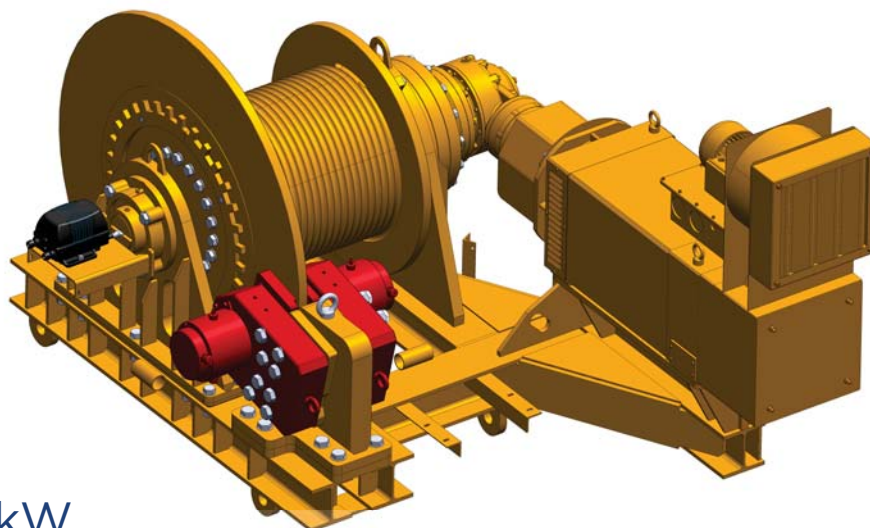


HOISTING WINCH 65 kW FEM M5-L2-T5



HOISTING WINCH MODEL HW2565BR-75025BE							
POWER	MOTOR 65 kW						
ROPE SIZE	∅	20	mm				
ROPE LAYER	n	1	2	3	4	5	6
LINE PULL ON THE ROPE	kN	99,1	93,9	89,2	84,8	80,9	77,4
ROPE SPEED	m/min	35,6	37,6	39,6	41,6	43,6	45,6
ROPE CAPACITY	m	85,9	176,7	272,3	372,7	478	588,1

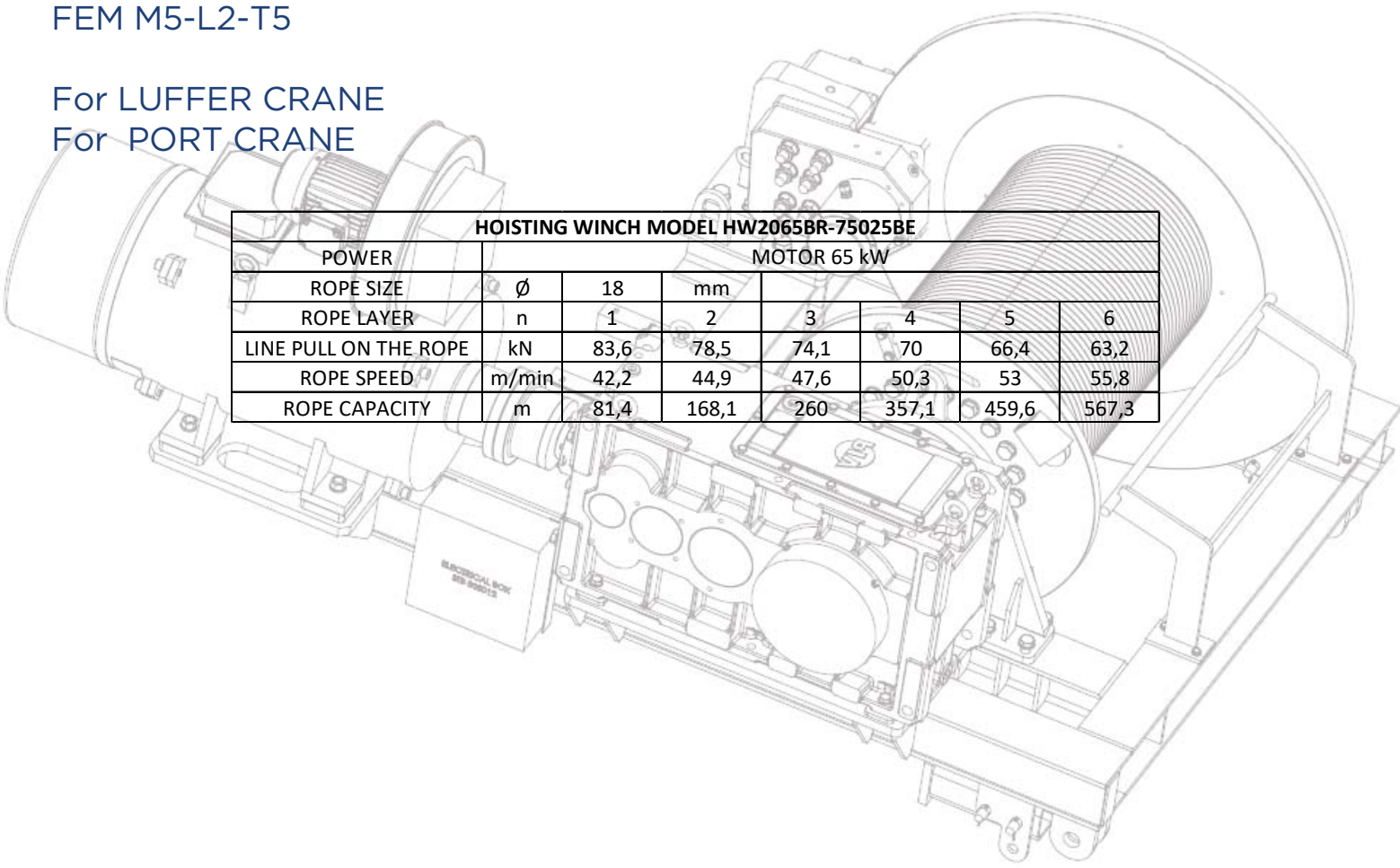
HOISTING WINCH MODEL HW4065BR-75025BE							
POWER	MOTOR 65 kW						
ROPE SIZE	∅	26	mm				
ROPE LAYER	n	1	2	3	4	5	6
LINE PULL ON THE ROPE	kN	175,6	163,6	153,1	143,9	135,8	128,5
ROPE SPEED	m/min	22,1	23,7	25,3	26,9	28,5	30,2
ROPE CAPACITY	m	59,1	122,6	190,3	262,4	338,9	419,6

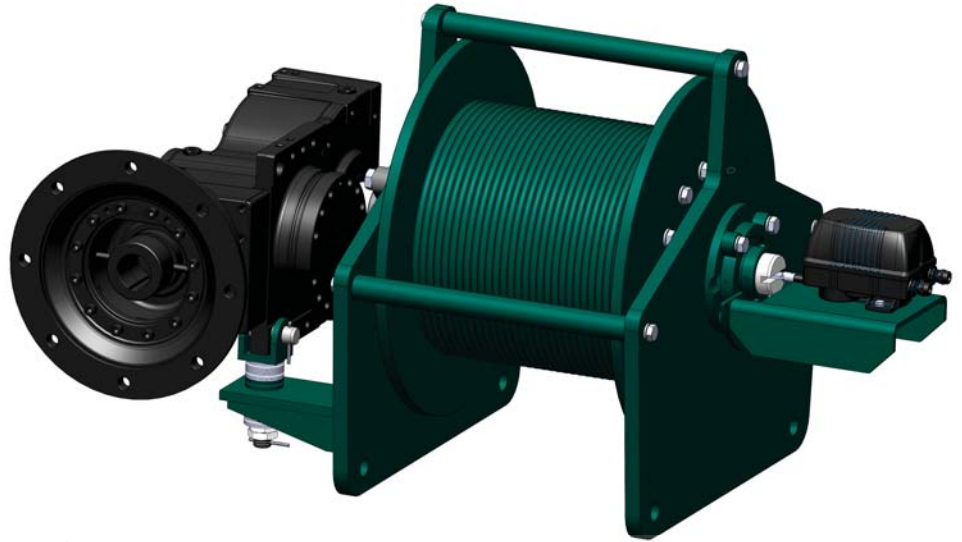


LUFFING WINCH 65 kW FEM M5-L2-T5

For LUFFER CRANE
For PORT CRANE

HOISTING WINCH MODEL HW2065BR-75025BE							
POWER	MOTOR 65 kW						
ROPE SIZE	∅	18	mm				
ROPE LAYER	n	1	2	3	4	5	6
LINE PULL ON THE ROPE	kN	83,6	78,5	74,1	70	66,4	63,2
ROPE SPEED	m/min	42,2	44,9	47,6	50,3	53	55,8
ROPE CAPACITY	m	81,4	168,1	260	357,1	459,6	567,3





HOISTING WINCH 37 kW FEM M2-L5-T5

HOISTING WINCH MODEL HW085050BR1000							
POWER	MOTOR 37 kW						
ROPE SIZE	∅	12	mm				
ROPE LAYER	n	1	2	3	4	5	6
LINE PULL ON THE ROPE	kN	26,9	26,1	25,3	24,6	23,9	23,3
ROPE SPEED	m/min	76	78,4	80,8	83,2	85,6	88
ROPE CAPACITY	m	77,8	158	240,6	325,7	413,3	503,3

HOISTING WINCH MODEL HW105034BR1000							
POWER	MOTOR 37 kW						
ROPE SIZE	∅	14	mm				
ROPE LAYER	n	1	2	3	4	5	6
LINE PULL ON THE ROPE	kN	36,8	35	33,4	31,9	30,6	29,4
ROPE SPEED	m/min	57,4	60,3	63,2	66,1	68,9	71,8
ROPE CAPACITY	m	49,9	102,3	157,2	214,7	274,6	337

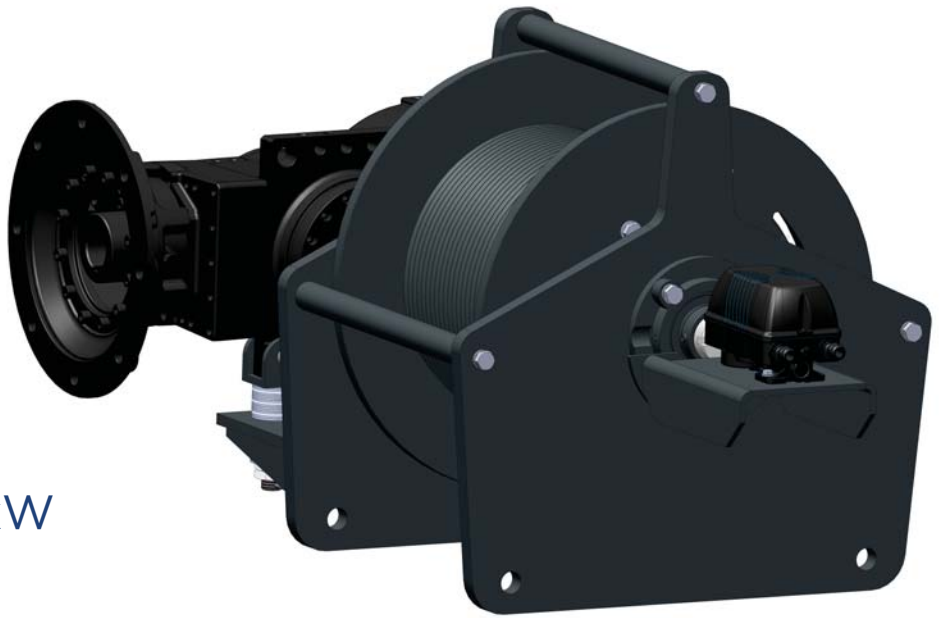
HOISTING WINCH MODEL HW105054BR1000							
POWER	MOTOR 37 kW						
ROPE SIZE	∅	14	mm				
ROPE LAYER	n	1	2	3	4	5	6
LINE PULL ON THE ROPE	kN	35,4	34,2	33	31,9	30,9	29,9
ROPE SPEED	m/min	57,8	59,9	62	64,1	66,3	68,4
ROPE CAPACITY	m	82,5	168,1	256,7	348,3	443	540,7

HOISTING WINCH MODEL HW125034BR1000							
POWER	MOTOR 37 kW						
ROPE SIZE	∅	14	mm				
ROPE LAYER	n	1	2	3	4	5	6
LINE PULL ON THE ROPE	kN	41,9	39,9	38	36,4	34,9	33,5
ROPE SPEED	m/min	48,9	51,3	53,8	56,2	58,7	61,2
ROPE CAPACITY	m	49,9	102,3	157,2	214,7	274,6	337

ENG

CRANES

Design, engineering, manufacture

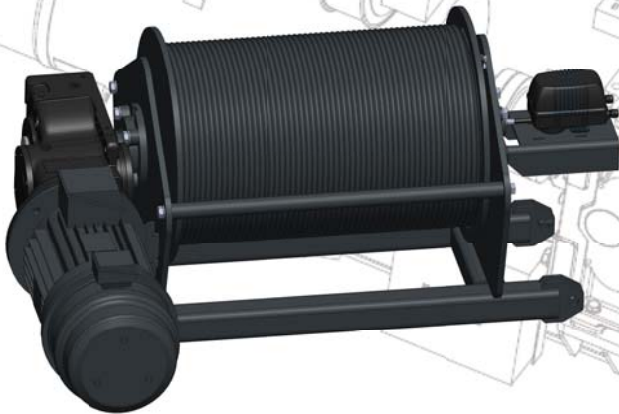


HOISTING WINCH 22 kW FEM M5-T2-L5

HOISTING WINCH MODEL HW083034BR1000							
POWER	MOTOR 22 kW						
ROPE SIZE	∅	22	mm				
ROPE LAYER	n	1	2	3	4	5	6
LINE PULL ON THE ROPE	kN	32,3	30,8	29,5	28,3	27,1	26,1
ROPE SPEED	m/min	41,2	43,2	45,1	47,1	49	51
ROPE CAPACITY	m	51,8	106,1	162,8	222	283,6	347,7

WINCH 15 kW FEM M4-L2-T4

TROLLEY WINCH MODEL TW4015BR-144550BE		
POWER	MOTOR 15 kW	
ROPE SIZE (mm)	∅	7
ROPE LAYER	n	1
LINE PULL ON THE ROPE	kN	18,9
ROPE SPEED	m/min	43,9
ROPE CAPACITY	m	98,8



WINCH 11 kW FEM M4-L2-T4

TROLLEY WINCH MODEL TW1611BR-145650BE		
POWER	MOTOR 11 kW	
ROPE SIZE (mm)	∅	10
ROPE LAYER	n	1
LINE PULL ON THE ROPE	kN	12,5
ROPE SPEED	m/min	50,7
ROPE CAPACITY	m	86



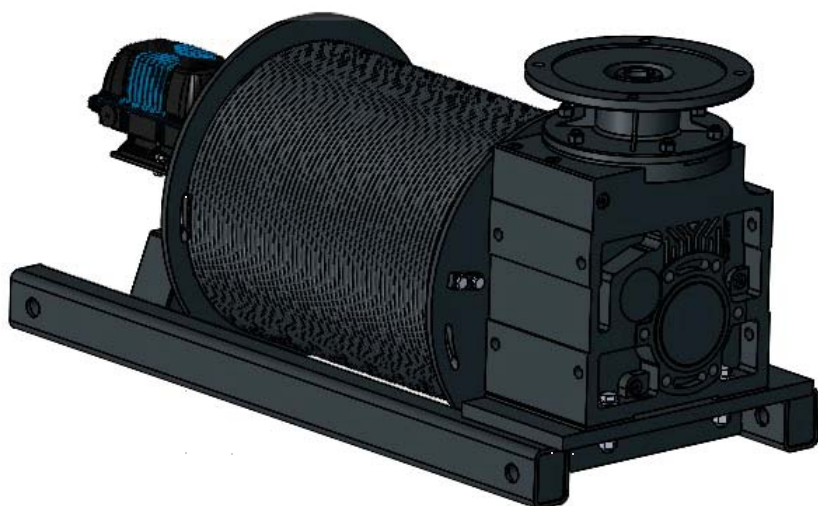


WINCH 7.5 kW
FEM M4-L2-T4

TROLLEY WINCH MODEL AC.0221080-16		
POWER	MOTOR 7,5 kW	
ROPE SIZE (mm)	∅	10
ROPE LAYER	n	1
LINE PULL ON THE ROPE	kN	10,2
ROPE SPEED	m/min	27,4
ROPE CAPACITY	m	81,5

WINCH 5.5 kW
FEM M4-L2-T4

TROLLEY WINCH MODEL AC.020980-12		
POWER	MOTOR 5,5 kW	
ROPE SIZE (mm)	∅	9
ROPE LAYER	n	1
LINE PULL ON THE ROPE	kN	7,5
ROPE SPEED	m/min	26,7
ROPE CAPACITY	m	81,5

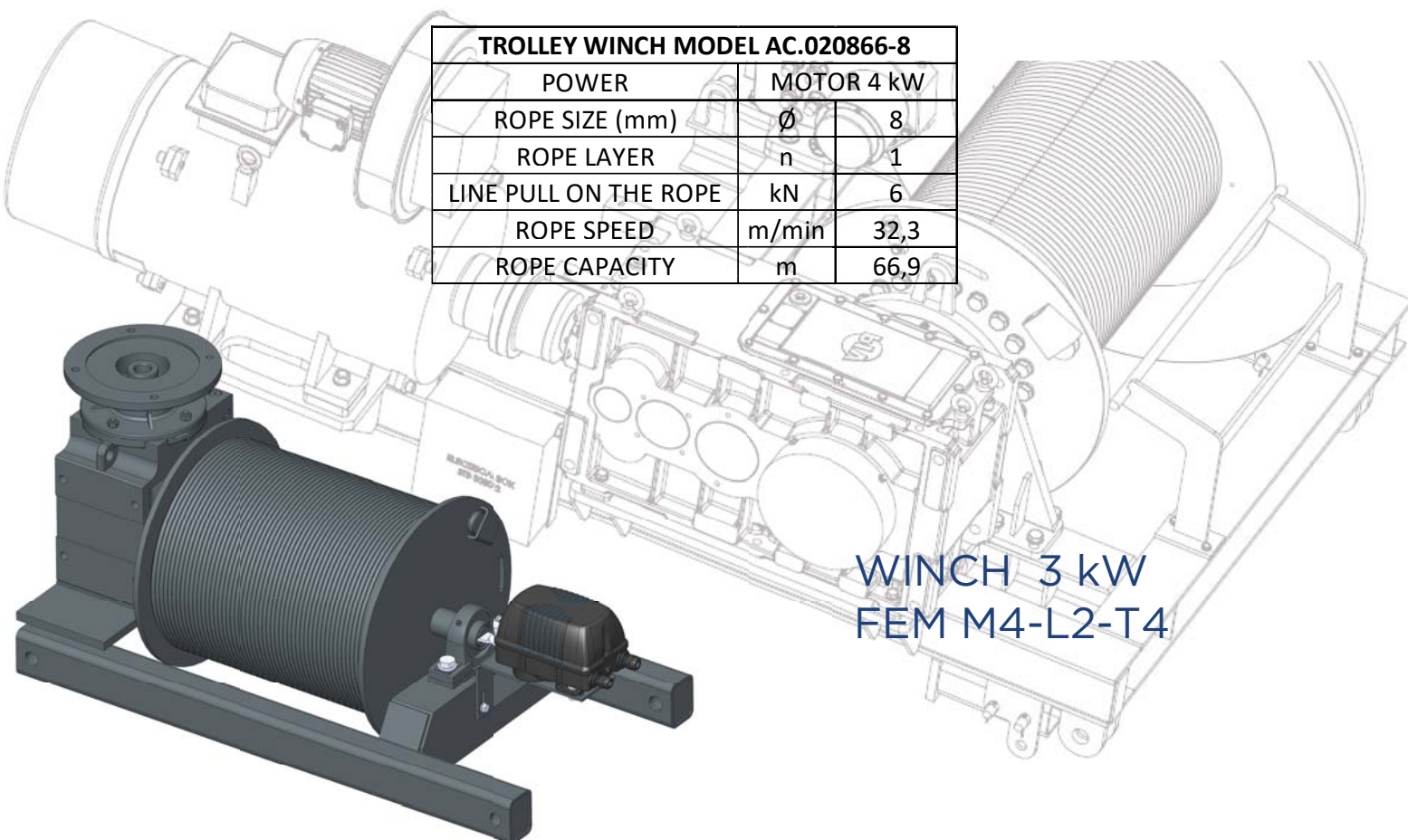


TROLLEY WINCH MODEL AC.020870-10		
POWER	MOTOR 5,5 kW	
ROPE SIZE (mm)	∅	8
ROPE LAYER	n	1
LINE PULL ON THE ROPE	kN	7,5
ROPE SPEED	m/min	31,7
ROPE CAPACITY	m	71,4

WINCH 4 kW FEM M4-L2-T4



TROLLEY WINCH MODEL AC.020866-8		
POWER	MOTOR 4 kW	
ROPE SIZE (mm)	Ø	8
ROPE LAYER	n	1
LINE PULL ON THE ROPE	kN	6
ROPE SPEED	m/min	32,3
ROPE CAPACITY	m	66,9



WINCH 3 kW FEM M4-L2-T4

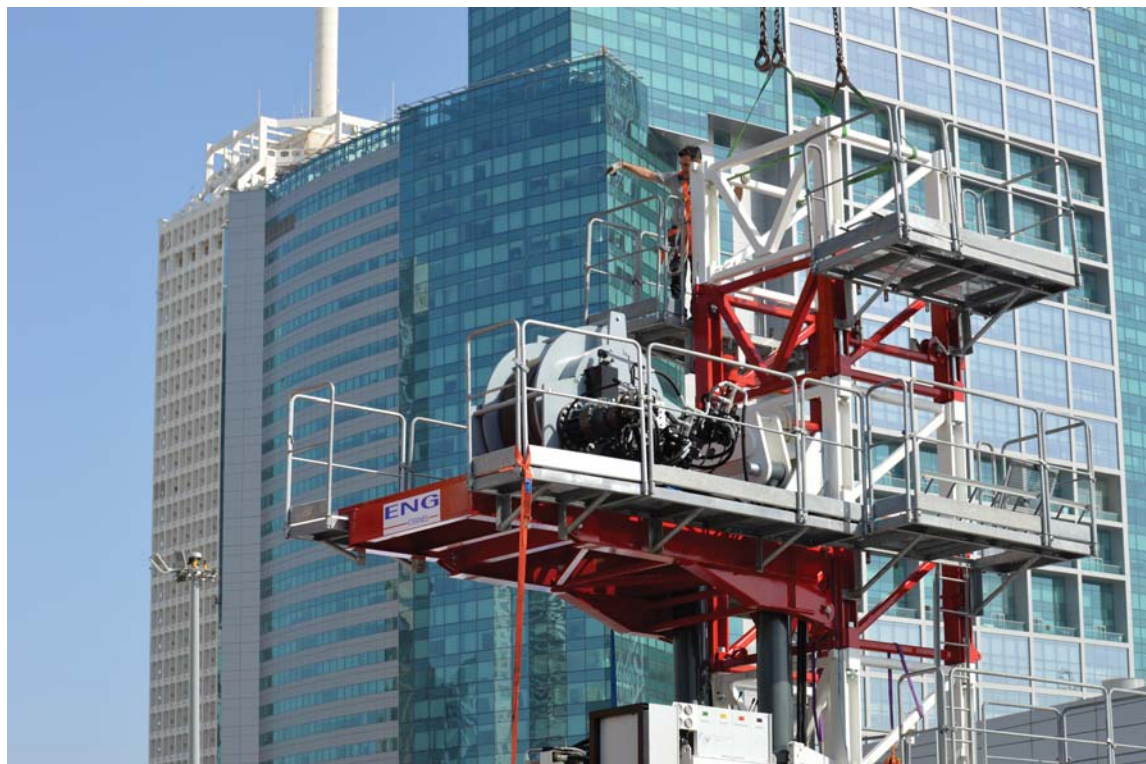
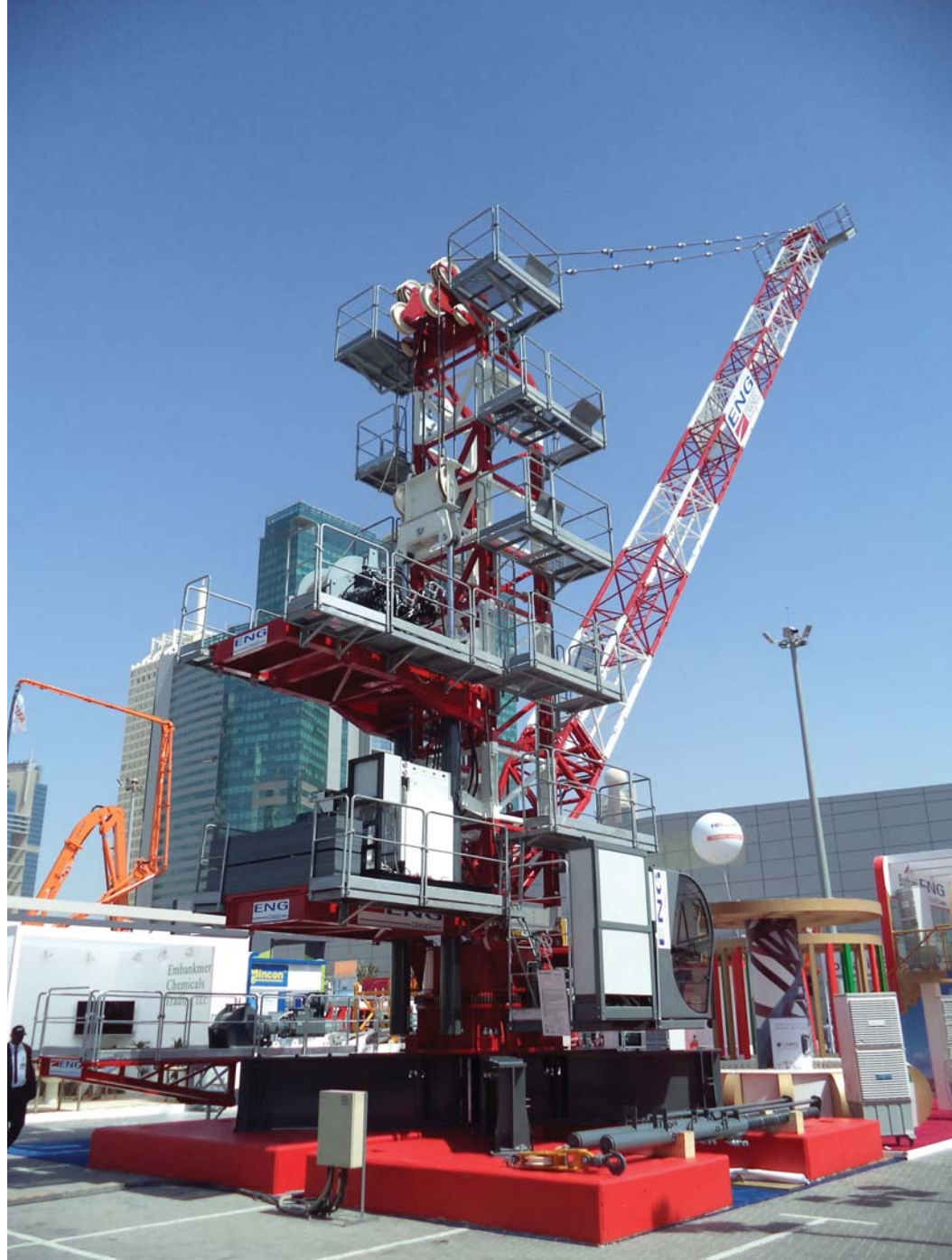
TROLLEY WINCH MODEL AC.020758-6		
POWER	MOTOR 3 kW	
ROPE SIZE (mm)	Ø	7
ROPE LAYER	n	1
LINE PULL ON THE ROPE	kN	4,5
ROPE SPEED	m/min	31,9
ROPE CAPACITY	m	59,1

ENG

CRANES

Design, engineering, manufacture

HOISTING WINCH 133 kW



ENG

CRANES

Design, engineering, manufacture

HOISTING WINCH 110kW



HOISTING WINCH 65kW



ENG

CRANES

Design, engineering, manufacture

WINCH 37kW



WINCH 22 kW



ENG

CRANES

Design, engineering, manufacture

WINCH 15kW



WINCH 11kW



ENG

CRANES

Design, engineering, manufacture



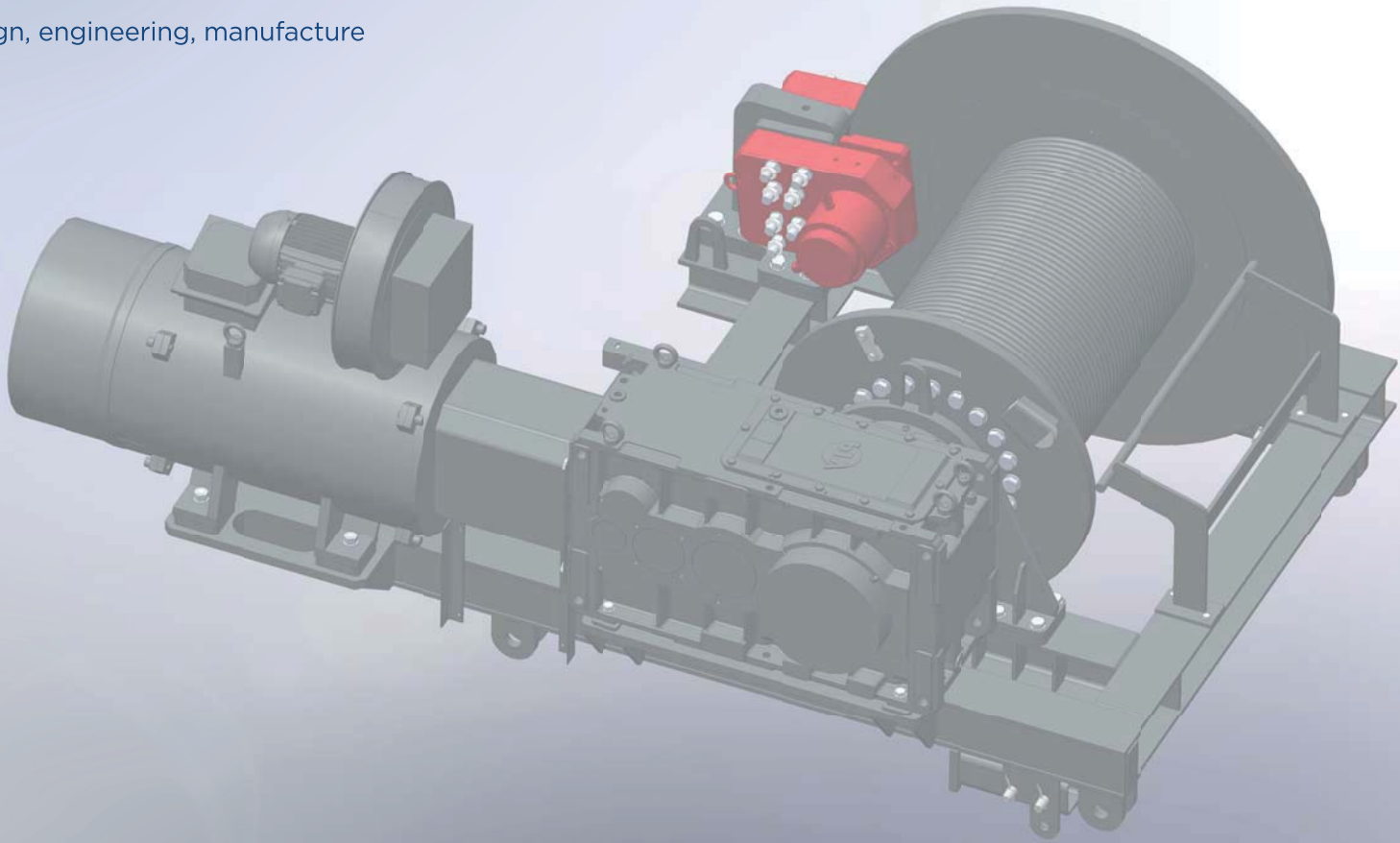
WINCH 5,5 kW



ENG

CRANES

Design, engineering, manufacture



ENG CRANES SRL

Via Limido 1/E 42024 Castelnovo di Sotto RE - Italy

Tel. +39 0522 1495518 - Fax. +39 0522 1495601

commerciale@engcranes.com

www.engcranes.com